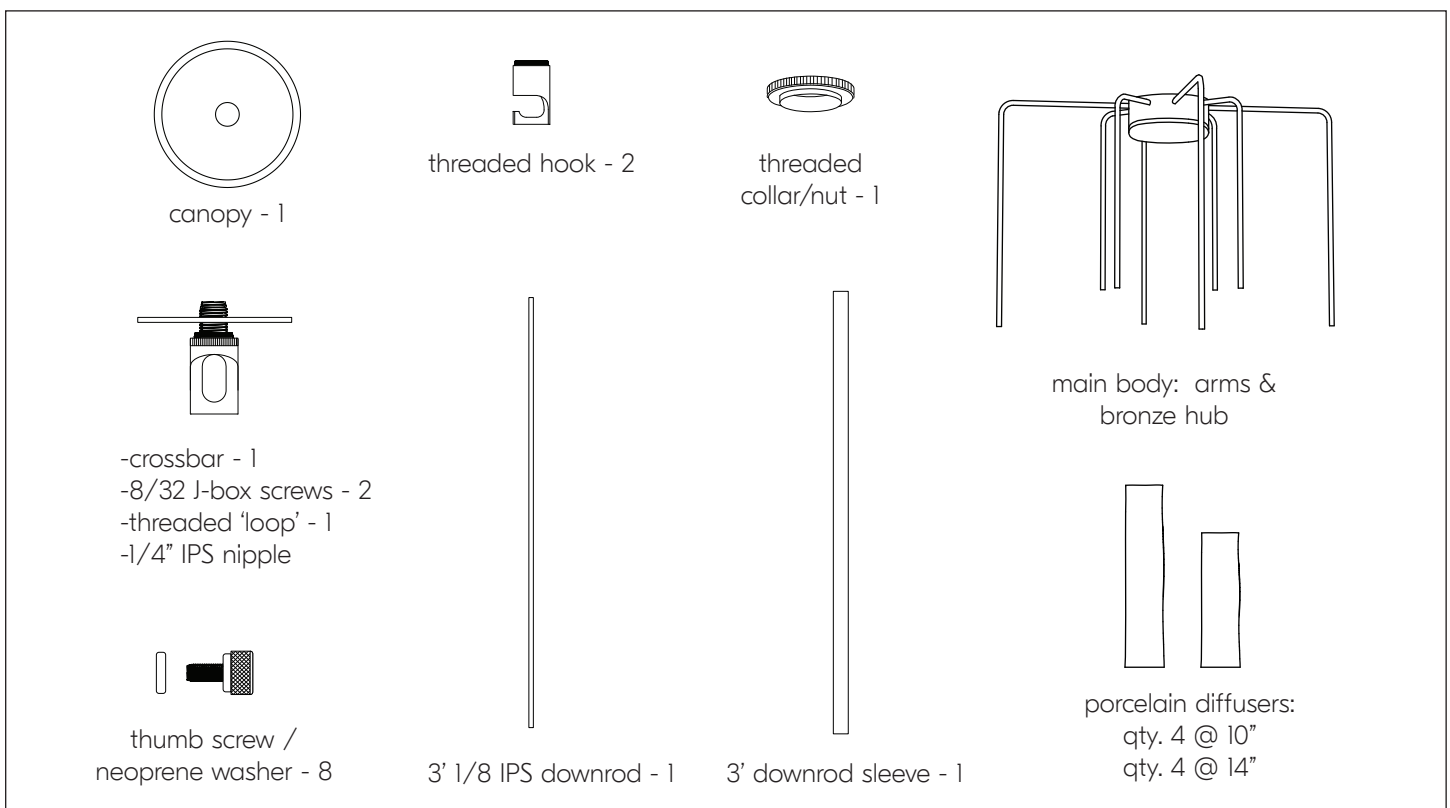


Technical Information:

Input	120-277 VAC
UL Approved	Yes
Driver Volts	14-24 Vdc
Fixture Wattage	33.6 watts
Dimming	LUTRON DVWCL-153PH or equivalent

Driver Amperage	700mA per driver
Lumens	1800 lumens (2 drivers)
Color Temp.	2700K
CRI	90

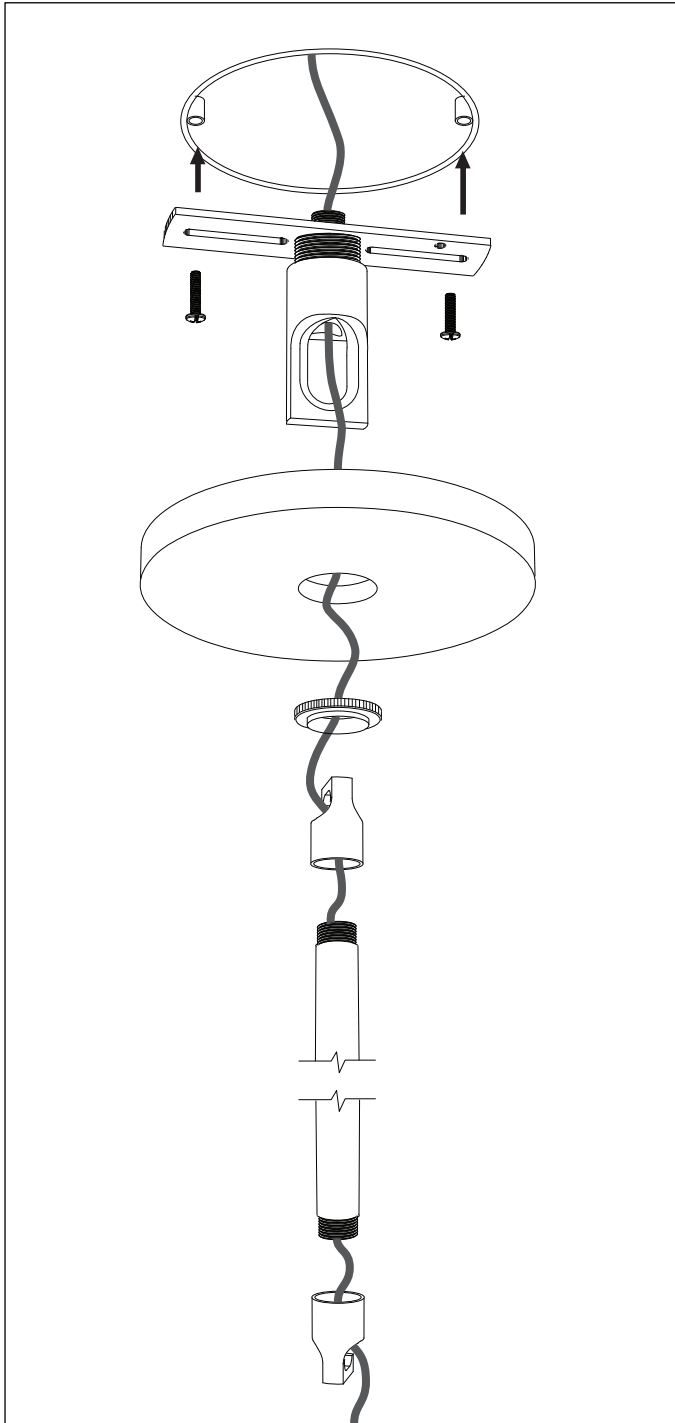
Parts:



Notes & Safety Information:

- Do not remove chandelier from crate until the installation has proceeded to the step indicated in red on page two of this document.
- Carefully follow all set-up instructions to avoid damage and ensure proper assembly.
- To be installed by licensed electrician.
- Wear provided gloves during entire installation process. Do not touch the LED boards/emitters or bronze hub with bare hands.
- Only suitable for direct mounting on non-combustible surfaces.
- Under no circumstances can Arak Chandeliers be mounted on normally flammable surfaces. Suitable for dry, indoor use only.
- Maximum ambient temperature: 25 deg. C
- Further information regarding the care and use of the materials, components, and finishes may be found by referring to the enclosed 'care and use instructions'.
- Please direct questions regarding use or installation to Skram.

Diagram A



NOTE: THE FOLLOWING STEPS SHOULD BE TAKEN WITH THE CHANDELIER STILL IN THE SHIPPING CRATE. DO NOT REMOVE FROM CRATE UNTIL YOU GET TO THE STEP IN RED BELOW.

Installation of Arak Chandelier:

-Turn off power supply to circuit.

-Assemble downrod. Cut 1/8 IPS threaded rod to desired length. Deburr. Cut downrod sleeve .625" shorter than 1/8 IPS threaded rod. Deburr. Slide threaded rod into sleeve and screw hooks onto each end of rod until snug.

-Secure crossbar to J- box.

-Install 'loop' + 1/4 IPS nipple to crossbar until fully seated.

-Feed cord from top end of hub through hook/downrod/hook assembly.

-Engage downrod assembly 'hook' to 'loop' at top of chandelier hub.

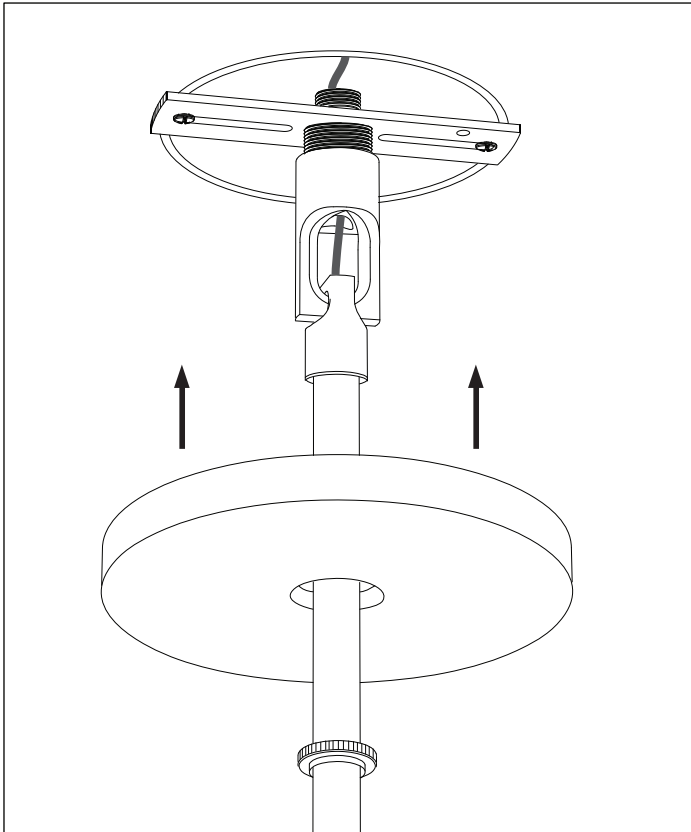
-Slide threaded collar/nut over downrod assembly to rest on hub.

-Slide canopy over downrod assembly to rest on hub.

--Place ladder in position that will not interfere with or damage chandelier.

-At this stage, remove chandelier from crate.

Diagram B



Installation of Arak Chandelier: Cont'd.

-Carefully lift chandelier into place. One hand engages hook to loop at ceiling. The other hand (gloved) supports underside of bronze body.

-Pass cord through loop and into J-box.

-Make connections. Test.

-Slide canopy into place at ceiling and secure with threaded collar/nut.

- instructions continue on next page -

Diagram C

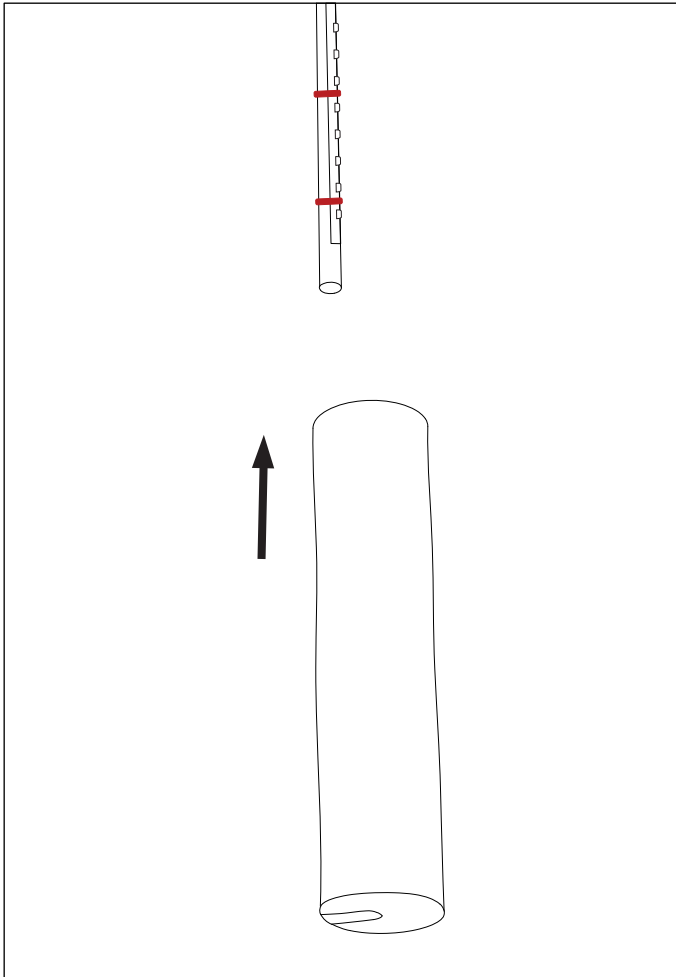
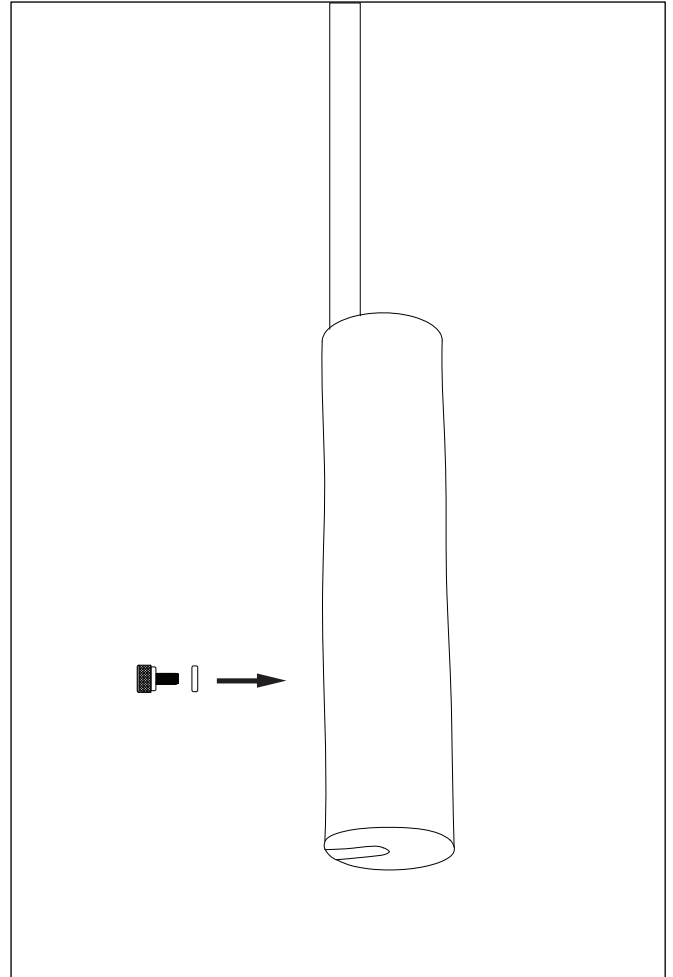


Diagram D



Installation of Arak Porcelain Diffusers:

- Install qty. 24 red high-temperature silicone o-rings per diagram C. Ensure that o-rings are located in between, not atop, emitters.
- Install qty. 8 black neoprene washers on qty. 8 thumb screws.
- Power-up chandelier. This makes it easier to locate and engage tapped hole for thumb screw.
- Per diagram D, working first with inner arms, hold porcelain diffuser with partial enclosure side down, and carefully slide up over bottom end of chandelier arm.
- Align hole on diffuser with tapped hole on chandelier arm. Carefully engage threads of thumb screw/washer.
- Tighten thumb screw until neoprene washer exhibits compression and porcelain is secure. Overtightening will result in damage and may fracture porcelain diffuser.